

TECHNICAL INFORMATION

AW135IW **Isabella**



Wall Mounted
Fixed

Application Description:

- Wall Mounted, Fixed
- Internal Areas
- Vanity Wall Light, Corridors, Stairwells, Storerooms

Product Name	ISABELLA
Description	Interior, Vanity, Linear, Wall Mounted, Fluorescent Luminaire with Integral Ballast
Material	Thermoplastic Body, Frosted Polycarbonate Diffuser, Chrome End Caps
Dimensions	Length: 1200mm; Height: 75mm; Width: 80mm
Driver	Integral Ballast
Details	1x T5 Max 28W Fluorescent Lamp, 3000/4000K, 2100 Luminaire Luminous Flux
IP Rating	IP20
IK Rating	IK02
Installation	Surface Mounted

We reserve the right to make technical changes.

Should you have any enquiries, please consult an Actwell representative. Email: sales@actwellighting.com.au
34 Mary Parade | Rydalmere NSW 2116 | Australia | T +61 2 9638 3333 | www.actwellighting.com

TECHNICAL INFORMATION

ORDER CODE

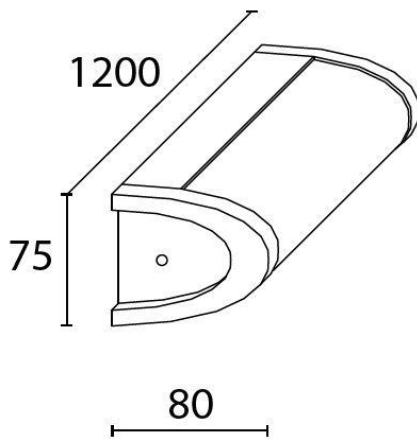
AW135IW-(Colour Finish)-(Temperature)-(Dimming)

Example: AW135IW-CH-3K-ND

Options:

Colour Finish	Temperature	Dimming
CH (Chrome)	3K (3000K)	ND (Non-Dim)
	4K (4000K)	

Dimensions Line Diagram:



We reserve the right to make technical changes.

Should you have any enquiries, please consult an Actwell representative. Email: sales@actwellighting.com.au

34 Mary Parade | Rydalmere NSW 2116 | Australia | T +61 2 9638 3333 | www.actwellighting.com