

TECHNICAL INFORMATION

AW151BD Giacinta



Floor Mounted
Fixed

Application Description:

- Floor Mounted, Fixed
- Exterior Areas, Landscaping, Two Directional, Low Glare
- Parks, Pathways, Planter Areas, Gardens, Building Perimeters or Carpark Boundary Applications

Product Name	GIACINTA
Description	Two Directional Cylindrical Floor Mounted LED Bollard
Material	Die cast Aluminium Body and Base, Powder Coated Pre-treated for Outdoor Use, Tempered Glass Diffuser Stainless Steel Screws
Dimensions	Height: 750mm; Diameter: 108mm
Driver	Integral Non-Dimmable Driver
Details	6W COB LED, 3000K, 440 Luminaire Luminous Flux @ 3000K
IP Rating	IP54
IK Rating	IK08
Installation	Floor Mounted

We reserve the right to make technical changes.

Should you have any enquiries, please consult an Actwell representative. Email: sales@actwellighting.com.au
34 Mary Parade | Rydalmere NSW 2116 | Australia | T +61 2 9638 3333 | www.actwellighting.com

TECHNICAL INFORMATION

ORDER CODE

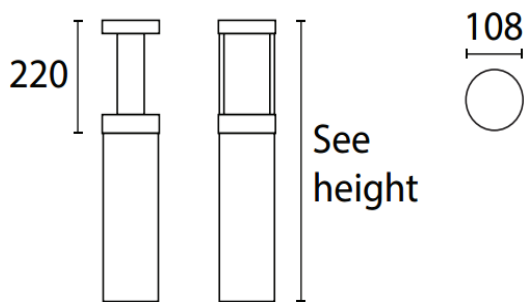
AW151BD-(Colour Finish)-(Temperature)-(Dimming)

Example: AW151BD-GR-3K-ND

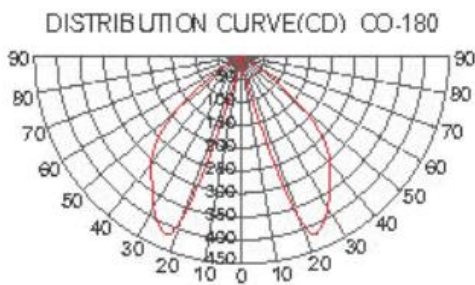
Options:

Colour Finish	Temperature	Dimming
GR (Grey)	3K (3000K)	ND (Non-Dim)
GP (Graphite)		

Dimensions Line Diagram:



Photometrics:



We reserve the right to make technical changes.

Should you have any enquiries, please consult an Actwell representative. Email: sales@actwellighting.com.au

34 Mary Parade | Rydalmere NSW 2116 | Australia | T +61 2 9638 3333 | www.actwellighting.com

TECHNICAL INFORMATION

Product Application Photos:



We reserve the right to make technical changes.

Should you have any enquiries, please consult an Actwell representative. Email: sales@actwellighting.com.au

34 Mary Parade | Rydalmere NSW 2116 | Australia | T +61 2 9638 3333 | www.actwellighting.com