

TECHNICAL INFORMATION

AW36RD Ecofire 10 IP



Application Description:

- Recessed, Adjustable
- Internal/External Areas, Wet Areas, High CRI Cyanosis Approved, Low Glare Requirement
- Residential Living, Bathrooms, Laundries, Awnings, Aged Care Facilities, Restaurants, Retail and Hospitality, Restrooms, Medical Care Facilities, Patient Examination Room and Hospital Applications

Product Name	ECOFIRE 10 IP
Description	Cyanosis Approved, IP44 Rated Water and Dust Protection, Low Profile, Anti-Glare, High CRI, Patented Heat Sink for Rapid Heat Dissipation, Fixed, Recessed, LED Downlight
Material	Aluminium Trim and Body, Two Step Parabolic Reflector, Clear Glass Diffuser, Custom Engineered Heat Sink, Aluminium Recessing Side Blades
Dimensions	Diameter: 82mm; Height: 59mm; Cut Out: 70mm
Driver	225mA Remote LED Driver
Details	10W, 3000K or 4000K available, CRI: 80/94, COI: 0.48, Beam Angle: 36°/60°, 950 Luminaire Luminous Flux @ 60° 3000K
IP Rating	IP44
IK Rating	IK04
Installation	Recessed

We reserve the right to make technical changes.

Should you have any enquiries, please consult an Actwell representative. Email: sales@actwellighting.com.au
34 Mary Parade | Rydalmere NSW 2116 | Australia | T +61 2 9638 3333 | www.actwellighting.com

TECHNICAL INFORMATION

ORDER CODE

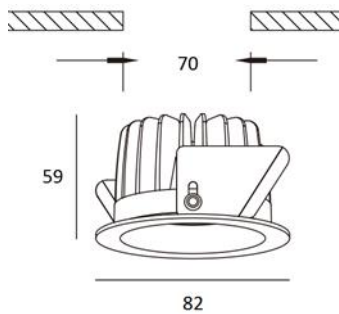
AW36RD-(Colour Finish)-(Temperature)-(Beam Angle)-(Dimming)

Example: AW36RD-WH-3K-60°-ND

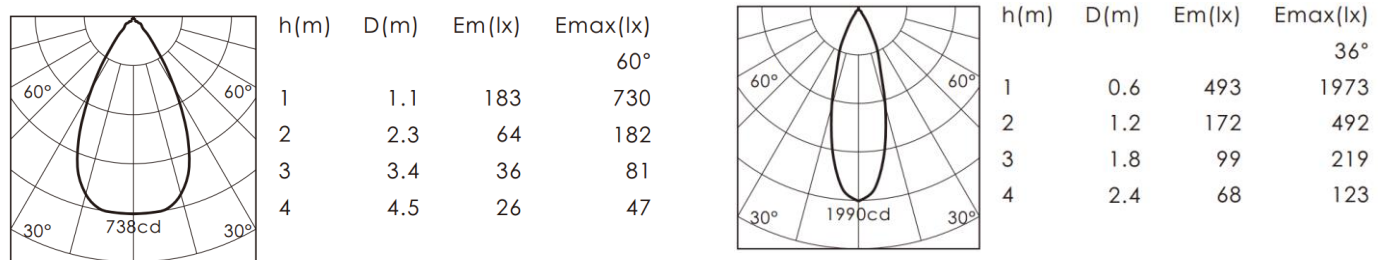
Options:

Cyanosis Option	Colour Finish	Temperature	Beam Angle	Dimming
Replace 'RD' with 'CYN'	WH (White)	3K (3000K)	36°	ND (Non-Dim)
	BK (Black)	4K (4000K)	60°	PH (Phase)
				DD (DALI)

Dimensions Line Diagram:



Photometrics:



We reserve the right to make technical changes.

Should you have any enquiries, please consult an Actwell representative. Email: sales@actwelllighting.com.au

34 Mary Parade | Rydalmere NSW 2116 | Australia | T +61 2 9638 3333 | www.actwelllighting.com

TECHNICAL INFORMATION

Product Application Photos:



We reserve the right to make technical changes.

Should you have any enquiries, please consult an Actwell representative. Email: sales@actwellighting.com.au
34 Mary Parade | Rydalmere NSW 2116 | Australia | T +61 2 9638 3333 | www.actwellighting.com