

TECHNICAL INFORMATION

AW420IU Semi Quaver



Inground/Surface
Mounted Spotlight
Adjustable

Application Description:

- Inground/Surfaced Mounted, Adjustable
- Internal/External Areas; Relocatable Spotlighting Requirement
- Pathway Lighting, Foliage/Tree Uplighter, Wall Mounted Spotlighting Applications

Product Name	SEMI QUAVER
Description	Modern and Compact Adjustable, Remote 24V Driver LED Spotlighter with Optional Stake Attachment
Material	Anodized Aluminium Body and Spike, Clear Glass Lens, IP68 Rated PVC PG-9 9mm Cable Gland and Nut, Stainless Steel Screws
Dimensions	Head Diameter: 60mm; Head Height: 102mm; Head Length: 110mm; Base Height: 210mm
Driver Details	24V Remote LED Driver 5W COB LED, 3000K or 4000K available, CRI: 82, Beam Angle: 23°, 360 Luminaire Luminous Flux @ 3000K
IP Rating	IP65
IK Rating	IK06
Installation	Inground/Surface Mounted

We reserve the right to make technical changes.

Should you have any enquiries, please consult an Actwell representative. Email: sales@actwellighting.com.au
34 Mary Parade | Rydalmere NSW 2116 | Australia | T +61 2 9638 3333 | www.actwellighting.com

TECHNICAL INFORMATION

ORDER CODE

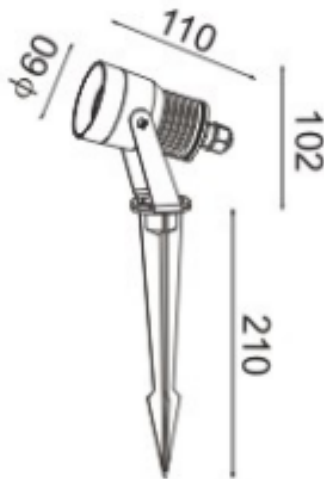
AW420IU-(Colour Finish)-(Temperature)-(Dimming)

Example: AW420IU-BK-3K-ND

Options:

Colour Finish	Temperature	Dimming
BK (Black)	3K (3000K)	ND (Non-Dim)
	4K (4000K)	

Dimensions Line Diagram:



We reserve the right to make technical changes.

Should you have any enquiries, please consult an Actwell representative. Email: sales@actwellighting.com.au

34 Mary Parade | Rydalmere NSW 2116 | Australia | T +61 2 9638 3333 | www.actwellighting.com