

TECHNICAL INFORMATION

AW441IU Odonata



Inground
Fixed

Application Description:

- Inground, Fixed
- Interior or Exterior Areas; Low Depth, Low Voltage Uplighting Requirements
- Residential Living Areas, Retail and Hospitality, Commercial Offices, Decking, Landscaping Uplighter for Pathways or Foliage, Sculpture Uplighter, Building Perimeter Uplighting Applications

Product Name **ODONATA**

Description	High Heat Conductivity, 24V Inground LED Uplighter Luminaire
Material	316 Grade Stainless Steel, Tempered Clear Glass, Silicon Rubber Seal, Injection Mould PVC Back Housing, PG-9 PVC Gland
Dimensions	Height: 102mm; Diameter: 72mm; Depth: 106mm; Cutout: 60mm
Details	2.4W COB LED, 3000K or 4000K Available, CRI>80, Beam Angle: 5°, 115 Luminaire Luminous Flux
IP Rating	IP67
IK Rating	IK08
Installation	Floor Mounted
Driver	Remote LED Driver

We reserve the right to make technical changes.

Should you have any enquiries, please consult an Actwell representative. Email: sales@actwellighting.com.au
34 Mary Parade | Rydalmere NSW 2116 | Australia | T +61 2 9638 3333 | www.actwellighting.com

TECHNICAL INFORMATION

ORDER CODE

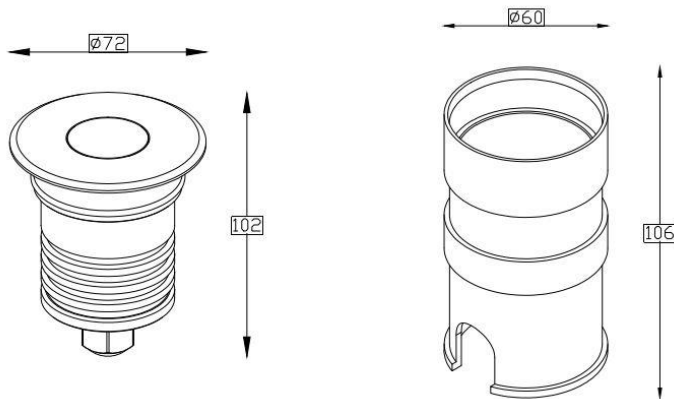
AW441IU-(Colour Finish)-(Temperature)-(Beam Angle)-(Dimming)

Example: AW441IU-3K-5°-ND

Options:

Temperature	Beam Angle	Dimming
3K (3000K)	5°	ND (Non-Dim)
4K (4000K)		

Dimensions Line Diagram:



Product Application Photos:



We reserve the right to make technical changes.

Should you have any enquiries, please consult an Actwell representative. Email: sales@actwellighting.com.au

34 Mary Parade | Rydalmere NSW 2116 | Australia | T +61 2 9638 3333 | www.actwellighting.com