

TECHNICAL INFORMATION

AW6213-4RD Akemi 40



Recessed
Adjustable

Application Description:

- Recessed, Adjustable
- Interior Areas, Spotlighting Applications
- Residential Living, Showrooms, Galleries, Menu or Signage Spotlighting, Retail and Hospitality Applications

Product Name	AKEMI 40
Description	Retractable, High Adjustment, Recessed LED Spotlighter
Material	Die-cast Aluminium Body and Trim, Steel Adjustment Bracket, Glass Diffuser
Dimensions	Width: 190mm; Height: 160mm; Diameter: 175mm
Details	40W COB LED, 3000K or 4000K, CRI: 90, Beam Angle: 15/24/36°, 3170 Luminaire Luminous Flux @ 3000K
IP Rating	IP20
IK Rating	IK03
Installation	Recessed

We reserve the right to make technical changes.

Should you have any enquiries, please consult an Actwell representative. Email: sales@actwelllighting.com.au

34 Mary Parade | Rydalmere NSW 2116 | Australia | T +61 2 9638 3333 | www.actwelllighting.com

TECHNICAL INFORMATION

ORDER CODE

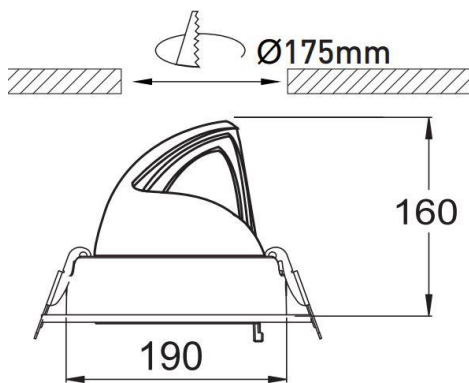
AW6213-4RD-(Colour Finish)-(Temperature)-(Beam Angle)-(Dimming)

Example: AW6213-4RD-WH-3K-24°-ND

Options:

Colour Finish	Temperature	Beam Angle	Dimming
WH (White)	3K (3000K)	15°	ND (Non-Dim)
BK (Black)	4K (4000K)	24°	PH (Phase)
		36°	11 (1-10V)
			DD (DALI)

Dimensions Line Diagram:



Photometrics:

15°/3000K/Ra90

h(m)	E(lx)	E _{max}	D(m)
1	15781	22195	Φ0.29
2	3945	5548	Φ0.58
3	1753	2466	Φ0.88
4	986	1387	Φ1.17

Efficacy:80lm/W

Lumen output:3206lm wattage:40W

24°/3000K/Ra90

h(m)	E(lx)	E _{max}	D(m)
1	10154	14132	Φ0.42
2	2538	3532	Φ0.85
3	1128	1570	Φ1.27
4	634	883	Φ1.70

Efficacy:79lm/W

Lumen output:3172lm wattage:40W

36°/3000K/Ra90

h(m)	E(lx)	E _{max}	D(m)
1	5913	8467	Φ0.63
2	1478	2117	Φ1.25
3	657	940	Φ1.88
4	369	529	Φ2.50

Efficacy:75lm/W

Lumen output:3031lm wattage:40W

We reserve the right to make technical changes.

Should you have any enquiries, please consult an Actwell representative. Email: sales@actwellighting.com.au

34 Mary Parade | Rydalmere NSW 2116 | Australia | T +61 2 9638 3333 | www.actwellighting.com

TECHNICAL INFORMATION

Application Photo:

