

TECHNICAL INFORMATION

AW6236SD Belconnen SS



Surface Mounted
Fixed

Application Description:

- Surfaced Mounted, Fixed
- Internal or Protected External Areas
- Residential Living, Aged Care, Commercial Offices, Retail and Hospitality, Shopping Centers, Educational and Medical Facility Applications

Product Name	BELCONNEN SS
Description	Twin Head, Rectangular, Surface Mounted LED Downlight with Integral LED Driver
Material	Powdercoated Pure Aluminium Housing, Die-cast Aluminium Mounting Plate, Clear Glass Diffuser, Parabolic Reflector
Dimensions	Dimension: 230 x 120mm; Height: 158mm
LED Details	2x20W COB LED, 3000K or 4000K available, CRI>82, Beam Angle: 50°, 4150 Luminaire Luminous Flux @ 3K
Driver	Integral LED Driver
IP Rating	IP44
IK Rating	IK03
Installation	Surface Mounted

We reserve the right to make technical changes.

Should you have any enquiries, please consult an Actwell representative. Email: sales@actwelllighting.com.au
34 Mary Parade | Rydalmere NSW 2116 | Australia | T +61 2 9638 3333 | www.actwelllighting.com

TECHNICAL INFORMATION

Order Code:

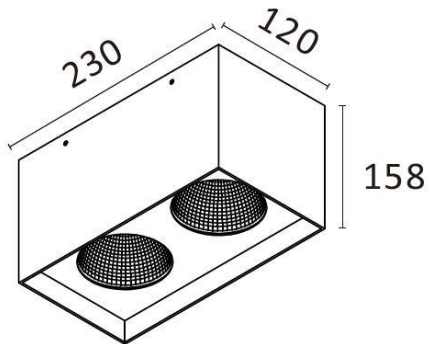
AW6236SD-(Colour Finish)-(Temperature)-(Beam Angle)-(Dimming)

Example: AW6236SD-WH-3K-50°-ND

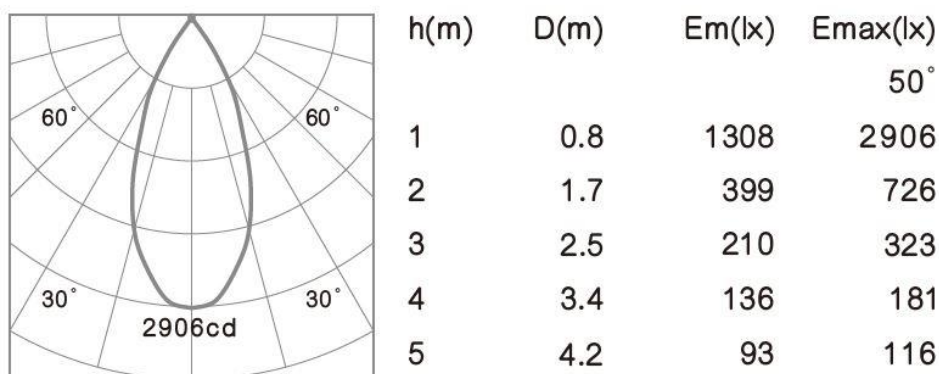
Options:

Colour Finish	Temperature	Beam Angle	Dimming
WH (White)	3K (3000K)	50°	ND (Non-Dim)
BK (Black)	4K (4000K)		PH (Phase Dim)
			11 (1-10V Dim)
			DD (DALI Dim)

Dimensions Line Diagram:



Photometrics:



We reserve the right to make technical changes.

Should you have any enquiries, please consult an Actwell representative. Email: sales@actwelllighting.com.au

34 Mary Parade | Rydalmere NSW 2116 | Australia | T +61 2 9638 3333 | www.actwelllighting.com

TECHNICAL INFORMATION

Product Application Photos:



We reserve the right to make technical changes.

Should you have any enquiries, please consult an Actwell representative. Email: sales@actwellighting.com.au
34 Mary Parade | Rydalmere NSW 2116 | Australia | T +61 2 9638 3333 | www.actwellighting.com