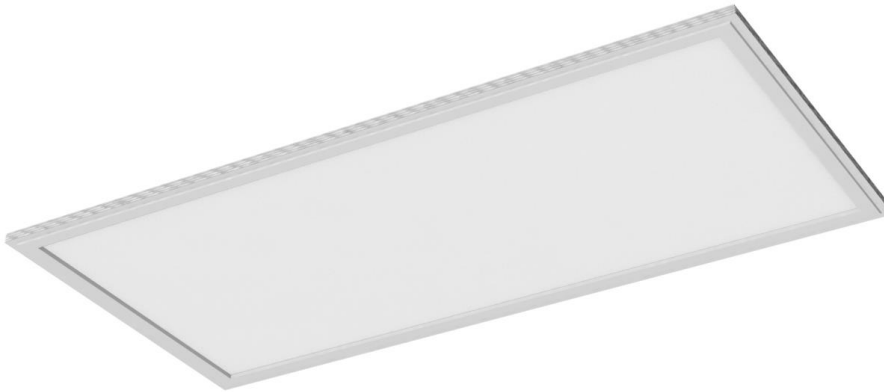


## TECHNICAL INFORMATION

## AW9613PLR Panel 3624



Recessed/Surface  
Mounted/Suspended  
Fixed

#### Application Description:

- Recessed into T-Bar Ceiling Grids / Surface Mounted / Suspended, Fixed
- Interior Areas; Wide and Even Coverage, Low Height and Low Glare Requirements
- Commercial Offices, Workstations, Reception Desks, Boardrooms, Backlighting Behind Screens, Educational and Medical Buildings, Aged Care Facility Applications

<b>Product Name</b>	<b>PANEL 3624</b>
<b>Description</b>	High Output and Light Uniformity, Low Glare and Light Attenuation, Recessed Edge Lit LED Panel Luminaire
<b>Material</b>	Anodised Aluminium Trim, Anti-Glare PMMA Optical Diffuser, Pure Aluminium Backing
<b>Dimensions</b>	Length: 595 x 295mm; Height: 9mm
<b>Driver</b>	550mA
<b>Details</b>	24W SMD LED, 3000K, 4000K, 5000K or 6000K available, UGR<19, CRI>80, Beam Angle: 180°, 2200 Luminaire Luminous Flux @ 3000K
<b>IP Rating</b>	IP20
<b>IK Rating</b>	IK07
<b>Installation</b>	Recess into T-Bar Grid Ceilings, Recessed Frame Kit, Surface Mounted Box Kits, Suspended Wire Kit

We reserve the right to make technical changes.

Should you have any enquiries, please consult an Actwell representative. Email: [sales@actwellighting.com.au](mailto:sales@actwellighting.com.au)  
34 Mary Parade | Rydalmere NSW 2116 | Australia | T +61 2 9638 3333 | [www.actwellighting.com](http://www.actwellighting.com)

## TECHNICAL INFORMATION

### ORDER CODE

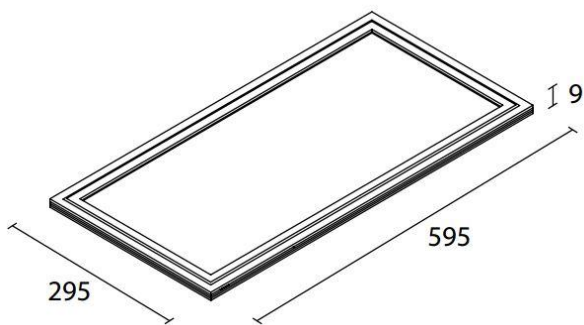
AW9613PLR-(Colour Finish)-(Temperature)-(Dimming)

Example: AW9613PLR-WH-3K-ND

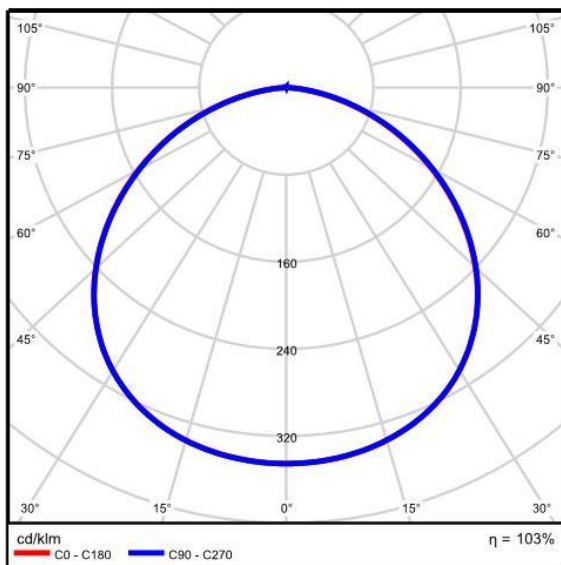
Options:

Colour Finish	Temperature	Dimming
WH (White)	3K (3000K)	ND (Non-Dim)
	4K (4000K)	PH (Phase)
	5K (5000K)	DD (DALI)
	6K (6000K)	

Dimensions Line Diagram:



Photometrics:



We reserve the right to make technical changes.

Should you have any enquiries, please consult an Actwell representative. Email: [sales@actwelllighting.com.au](mailto:sales@actwelllighting.com.au)

34 Mary Parade | Rydalmere NSW 2116 | Australia | T +61 2 9638 3333 | [www.actwelllighting.com](http://www.actwelllighting.com)

## TECHNICAL INFORMATION

### Product Application Photos:

---



---

We reserve the right to make technical changes.

Should you have any enquiries, please consult an Actwell representative. Email: [sales@actwellighting.com.au](mailto:sales@actwellighting.com.au)  
34 Mary Parade | Rydalmere NSW 2116 | Australia | T +61 2 9638 3333 | [www.actwellighting.com](http://www.actwellighting.com)