

TECHNICAL INFORMATION

AW9622PLR Panel 61236



Recessed/Surface
Mounted/Suspended
Fixed

Application Description:

- Recessed into T-Bar Ceiling Grids / Surface Mounted / Suspended, Fixed
- Interior Areas; Wide and Even Coverage, Low Height and Low Glare Requirements
- Commercial Offices, Workstations, Reception Desks, Boardrooms, Backlighting Behind Screens, Educational and Medical Buildings, Aged Care Facility, Data Center Applications

Product Name	PANEL 61236
Description	High Output and Light Uniformity, Low Glare and Light Attenuation, Recessed Edge Lit LED Panel Luminaire
Material	Anodised Aluminium Trim, Anti-Glare PMMA Optical Diffuser, Pure Aluminium Backing
Dimensions	Dimensions: 1195 x 595mm; Height: 9mm
Driver	850mA
Details	40W SMD LED, 3000K, 4000K, 5000K or 6000K available, UGR<19, CRI>80, Beam Angle: 180°, 4300 Luminaire Luminous Flux @ 3000K
IP Rating	IP20
IK Rating	IK07
Installation	Recess into T-Bar Grid Ceilings, Recessed Frame Kit, Surface Mounted Box Kits, Suspended Wire Kit

We reserve the right to make technical changes.

Should you have any enquiries, please consult an Actwell representative. Email: sales@actwellighting.com.au

34 Mary Parade | Rydalmere NSW 2116 | Australia | T +61 2 9638 3333 | www.actwellighting.com

TECHNICAL INFORMATION

ORDER CODE

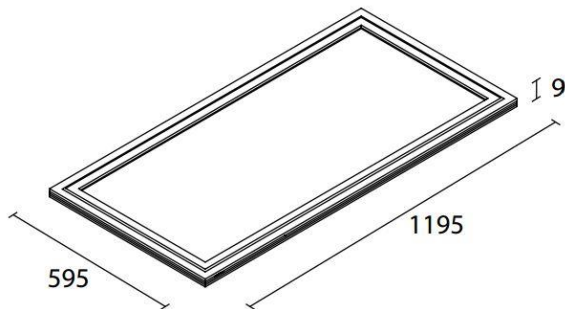
AW9622PLR-(Colour Finish)-(Temperature)-(Dimming)

Example: AW9622PLR-WH-3K-ND

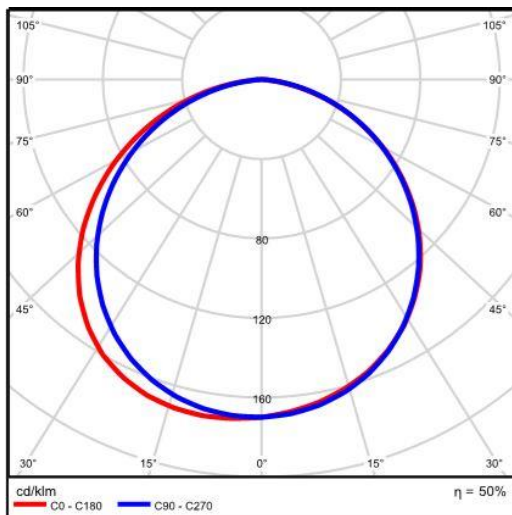
Options:

Colour Finish	Temperature	Dimming
WH (White)	3K (3000K)	ND (Non-Dim)
	4K (4000K)	PH (Phase)
	5K (5000K)	DD (DALI)
	6K (6000K)	

Dimensions Line Diagram:



Photometrics:



We reserve the right to make technical changes.

Should you have any enquiries, please consult an Actwell representative. Email: sales@actwellighting.com.au

34 Mary Parade | Rydalmere NSW 2116 | Australia | T +61 2 9638 3333 | www.actwellighting.com

TECHNICAL INFORMATION

Mounting Options:

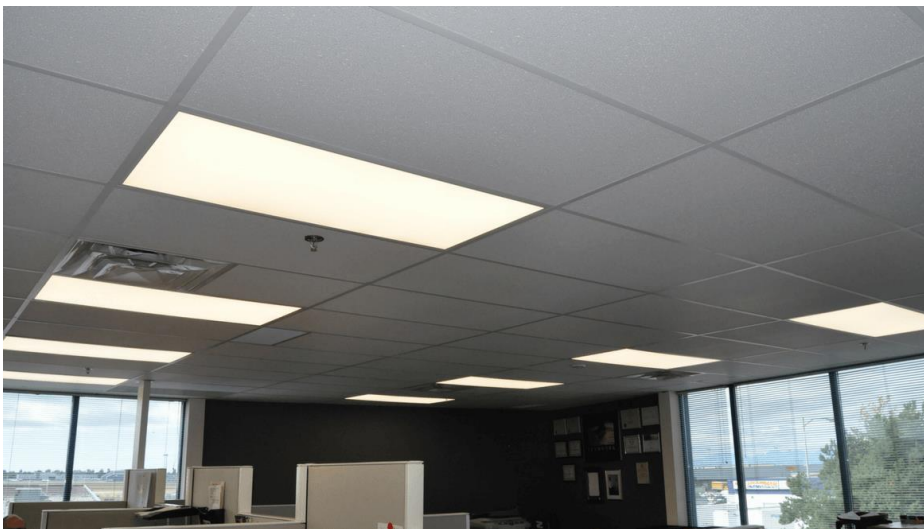
Surface Mounted Kit

Recessed Mounting Frame

Suspension Wiring Kit



Product Application Photos:



We reserve the right to make technical changes.

Should you have any enquiries, please consult an Actwell representative. Email: sales@actwellighting.com.au

34 Mary Parade | Rydalmere NSW 2116 | Australia | T +61 2 9638 3333 | www.actwellighting.com