

ACTWELL

LIGHTING



TECHNICAL INFORMATION

AW811RD ASCENT R15 MODULAR

APPLICATION AREA



Aged Care



Child Care



Commercial



Educational Facilities



Galleries and Museums



Hospitality



Hotels



Residential



Retail



Theatres



Ceiling Soffits



Infrastructure



Shopping Centers



Library



Wet Area



Hospital and Medical



Actwell Trading reserves the right to make revisions and updates.
If you have any enquiries please consult an Actwell Lighting Representative



34 Mary Parade
Rydalmere NSW 2116 Australia



+61 2 9638 3333



enquiries@actwellighting.com.au

PRODUCT NAME	
ASCENT R15 MODULAR	
Description	Round Trim, Anti-Glare, Deep Baffle, Adjustable, Recessed LED Downlight with Replaceable LED Module, Internal Areas, Low Glare
Material	Powder coated Aluminium Trim and Module, PC Lens Diffuser
Dimension	Diameter: 90mm; Height: 93mm; Cut Out: 83mm
Driver	350mA Remote LED Driver
Luminaire Details	15W COB LED, 2700K/3000K/3500K/4000K/5000K, CRI>92, Beam angle: 15°/24°/36°/60°, SDCM<3, UGR<13, 1550 Lumens, 1195 Luminaire Luminous Flux at 3000K 36°. Lumen Efficacy: 105Lm/W
Ratings	IP20 IC-4 IK05
Rated Life	5yr Warranty LM80 B10: 63,000 hrs <i>Environmental Impact: Luminaire > 95% Recyclable, Fitting Under Actwell Revitalisation Program to Refit Parts to End Waste</i>
Installation	Recessed

Actwell Trading reserves the right to make revisions and updates.
If you have any enquiries please consult an Actwell Lighting Representative

ORDER CODE

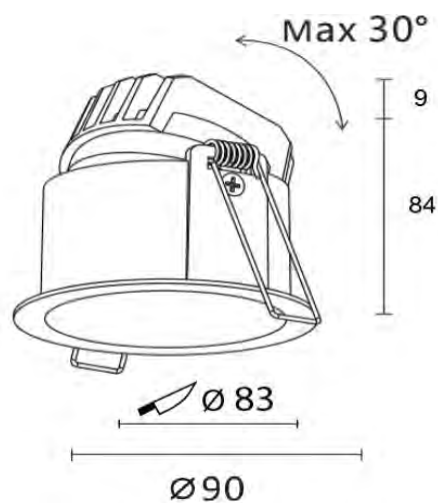
AW811RD-(Colour Finish)-(Baffle Colour Finish)-(Temperature)-(Beam Angle)-(Dimming)

Example: AW811RD-BK-BK-4K-36°-ND

OPTIONS

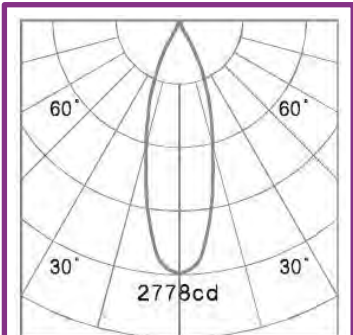
Colour Finish	Baffle Colour Finish	Temperature	Beam Angle	Dimming
WH (White)	WH (White)	2.7K (2700K)	15°	ND (Non-Dim)
BK (Black)	BK (Black)	3K (3000K)	24°	PH (Phase-Dim)
		3.5K (3500K)	36°	DD (DALI-Dim)
		4K (4000K)	60°	
		5K (5000K)		

DIMENSION LINE DIAGRAM

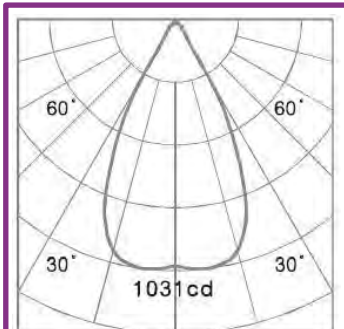


Actwell Trading reserves the right to make revisions and updates.
If you have any enquiries please consult an Actwell Lighting Representative

PHOTOMETRICS

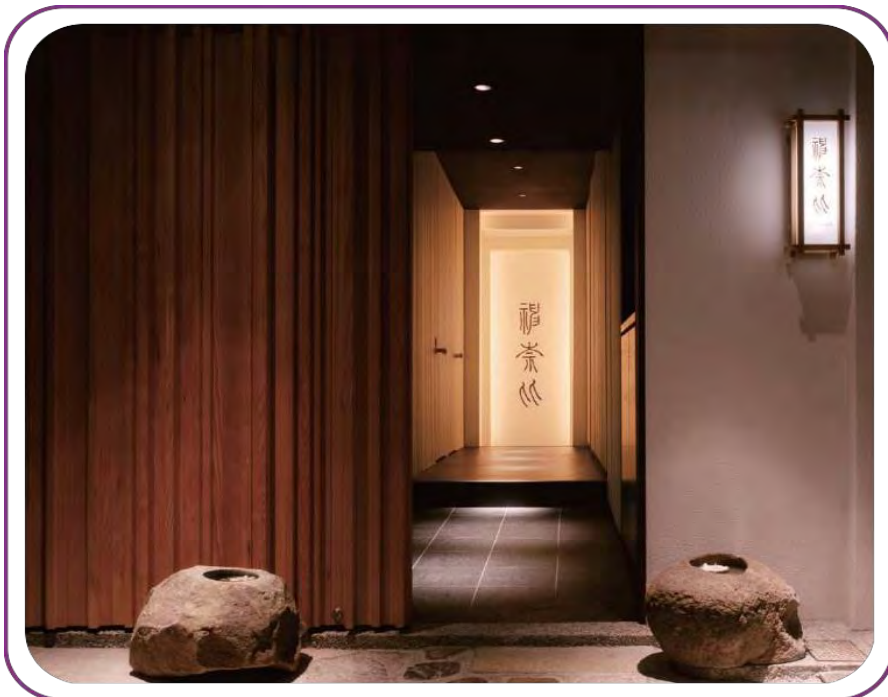


h(m)	D(m)	Em(lx)	E _{max} (lx)
1	0.6	677	2707
2	1.2	237	677
3	1.8	135	301
4	2.4	93	169
5	3.0	70	108



h(m)	D(m)	Em(lx)	E _{max} (lx)
1	1.1	253	1011
2	2.2	89	253
3	3.3	50	112
4	4.4	35	63
5	5.5	27	41

PRODUCT APPLICATION PHOTOS



Actwell Trading reserves the right to make revisions and updates.
If you have any enquiries please consult an Actwell Lighting Representative