

ACTWELL

LIGHTING



TECHNICAL INFORMATION
AW6281RD DANTEZ 30

APPLICATION AREA



Commercial



Educational Facilities



Galleries and Museums



Hospitality



Hospital and Medical



Hotels



Retail



Shopping Centers



Warehouse



Sports Facilities



Theatres



Auditorium



Actwell Trading reserves the right to make revisions and updates.
If you have any enquiries please consult an Actwell Lighting Representative



34 Mary Parade
Rydalmere NSW 2116 Australia



+61 2 9638 3333



enquiries@actwellighting.com.au

PRODUCT NAME	
DANTEZ 30	
Description	High output, Controlled Degree Beam Options, Anti-Glare Deep Baffle, Fixed, Recessed LED Downlight, Internal Areas, High ceiling Height, varied Options of Degree beam Requirement
Materials	Powder Coated Die Cast Aluminium Trim and Body, Clear Tempered Glass, Parabolic Reflector
Dimensions	Diameter: 150mm; Height: 152mm; Cut Out: 140mm
Driver	700mA Remote LED Driver
Luminaire Details	30W COB LED, 3000K/4000K Available, CRI>90, Beam Angle: 24°/36°/60°, SDCM<3, UGR<19. 3300 Lumens, 2820 Luminaire Luminous Flux at 3000K 36°. Lumen Efficacy: 110Lm/W.
Ratings	IP20 IC-4 IK03
Rated Life	5yr Warranty L80 B10: 72,000hrs <i>Environmentally Sustainable Replaceable LED Module</i> <i>Environmental Impact: Luminaire > 95% Recyclable, Fitting Under Actwell Revitalisation Program to Refit Parts to End Waste</i>
Installation	Recessed

Actwell Trading reserves the right to make revisions and updates.
If you have any enquiries please consult an Actwell Lighting Representative

ORDER CODE

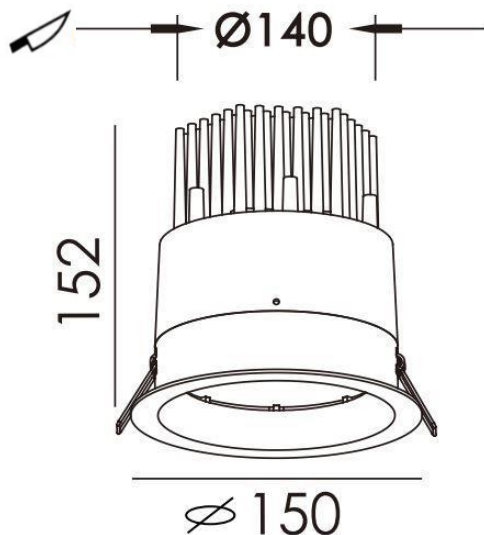
AW6281RD-(Colour Finish)-(Temperature)-(Beam Angle)-(Dimming)

Example: AW6281RD-WH-3K-24°-ND

OPTIONS

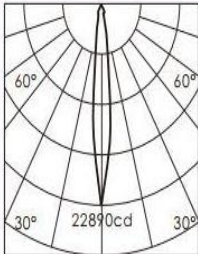
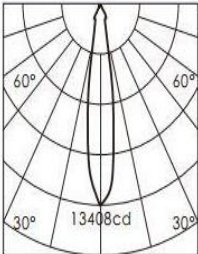
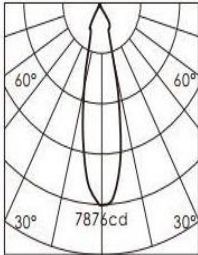
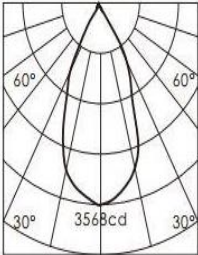
Colour Finish	Temperature	Beam Angle	Dimming
WH (White)	3K (3000K)	24°	ND (Non-Dim)
BK (Black)	4K (4000K)	36°	PH (Phase-Dim)
		60°	DD (DALI-Dim)

DIMENSION LINE DIAGRAM



Actwell Trading reserves the right to make revisions and updates.
If you have any enquiries please consult an Actwell Lighting Representative

PHOTOMETRICS

	h(m)	D(m)	Em(lx)	Emax(lx)		h(m)	D(m)	Em(lx)	Emax(lx)
				15°					24°
	1	0.3	5646	22583		1	0.4	3346	13385
	2	0.6	1976	5646		2	0.7	1171	3346
	3	0.9	1129	2509		3	1.1	669	1487
	4	1.2	777	1412		4	1.5	460	837
	5	1.6	587	903		5	1.8	348	535
	h(m)	D(m)	Em(lx)	Emax(lx)		h(m)	D(m)	Em(lx)	Emax(lx)
				36°					60°
	1	0.5	1967	7869		1	1.0	891	3564
	2	1.0	688	1967		2	1.9	312	891
	3	1.5	393	874		3	2.9	178	396
	4	2.0	271	492		4	3.9	123	223
	5	2.6	205	315		5	4.8	93	143

PRODUCT APPLICATION PHOTOS

