

ACTWELL

LIGHTING



TECHNICAL INFORMATION
AW84-1RD WISP 10

APPLICATION AREA



Aged Care



Child Care



Commercial



Educational Facilities



Hospitality



Hospitals and Medical



Hotels



Infrastructure



Retail



Shopping Centers



Wet Areas



Residential



Actwell Trading reserves the right to make revisions and updates.
If you have any enquiries please consult an Actwell Lighting Representative



34 Mary Parade
Rydalmere NSW 2116 Australia



+61 2 9638 3333



enquiries@actwellighting.com.au

PRODUCT NAME	
WISP 10	
Description	The newest generation of LED luminaire lighting design and technology is presented within the Wisp series. The luminaire has superior CRI, glare, SDCM ratings. The Wisp lights are also IP65 weatherproof allowing for applications in high dust or wet areas.
Materials	Powder Coated Die Cast Aluminum Trim, Custom Engineered Parabolic Reflector for Even Light Distribution, PC Clear Diffuser
Dimensions	Diameter: 82mm; Height: 65mm; Cut Out: 75mm
Driver	350mA Remote LED Driver
Luminaire Details	7W/10W/12W Wattage Options Available, 2700K/3000K/4000K Available, CRI>95, Beam Angle: 15°/24°/36°/60°, SDCM<3, Tunable White Option, UGR<16. 1800 Lumens, 1550 Luminaire Luminous Flux at 12W 3000K 36°. Lumen Efficacy: 150Lm/W
Ratings	IP65 IC-4 IK05
Rated Life	5yr Warranty L80 B10: 63,000hrs <i>Environmentally Sustainable Replaceable LED Module</i> <i>Environmental Impact: Luminaire > 95% Recyclable, Fitting Under Actwell Revitalisation Program to Refit Parts to End Waste</i>
Installation	Recessed

Actwell Trading reserves the right to make revisions and updates.
If you have any enquiries please consult an Actwell Lighting Representative

ORDER CODE

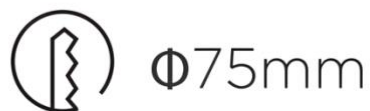
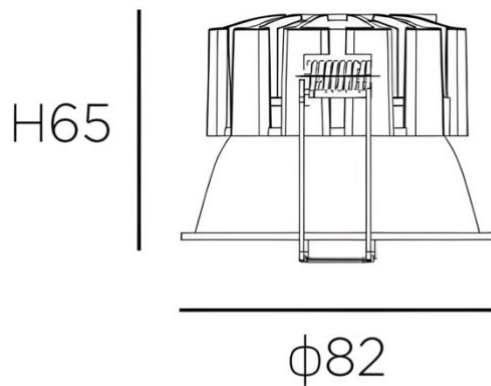
AW84-1RD-(Colour Finish)-(Temperature)-(Wattage)-(Beam Angle)-(Dimming)

Example: AW84-1RD-WH-3K-7W-60°-ND

OPTIONS

Colour Finish	Temperature	Wattage	Beam Angle	Dimming
WH (White)	2.7K (2700K)	7W	15°	ND (Non-Dim)
BK (Black)	3K (3000K)	10W	24°	PH (Phase-Dim)
	4K (4000K)	12W	36°	DD (DALI-Dim)
			60°	Casambi

DIMENSION LINE DIAGRAM



Actwell Trading reserves the right to make revisions and updates.
If you have any enquiries please consult an Actwell Lighting Representative

PRODUCT APPLICATION PHOTOS

